

MB REDUNDANCY BALANCE

IN: 24VDC/2x20ADC OUT: 24V/20-40ADC

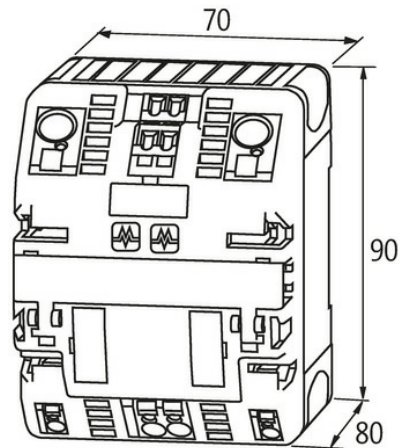
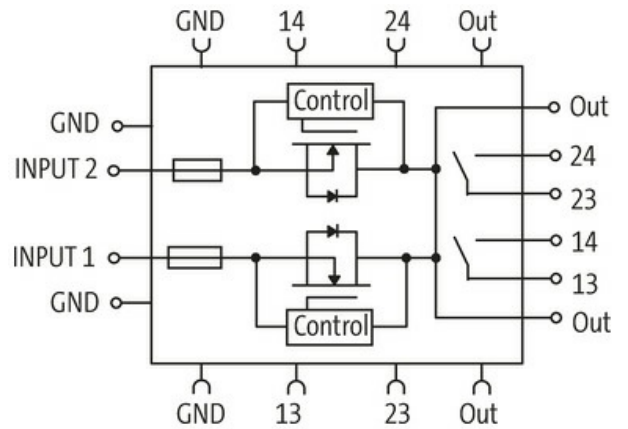
INPUT: 24 V DC (SELV/PELV)

OUTPUT: max. 2x 20/1x 40 A

low power loss (MOSFET-Technology)

[Link to Product](#)

Illustration



Product may differ from Image

Approvals



More Info

Bus technologies

General data

Standards	EN 61000-6-2, EN 61000-6-3
Mounting method	DIN-rail mountable TH35 (EN 60715)
Temperature range	-25...+60 °C (storage temperature -40...+85 °C)
Relative humidity	5...95%, no condensation
Efficiency	99.5%
Connection	Spring clamp terminals
Bridging concept	two sides, with spring clamp terminals or bridge set (max. 40 A)

Output

Output voltage	24 V DC (18...30 V DC)
LED display	LED (red/green)
Alarm output	potential free (relay contact) for input voltage/load distribution
Output current	26 A (-25...+40 °C)
Parallel usage/serial usage	2 units: 40 A (-25...+60 °C); 52 A (-25...+40 °C)/-

Input

Input voltage	24 V DC (18...30 V DC)
Invers-polarity protection	max. 30 V DC
Input current	2× 20 A
Total current	max. 40 A

Commercial data

country of origin	CZ
customs tariff number	85044090
EAN	4048879384698
eClass	27049190
Packaging unit	1.000